

GL 1200 OUTDOOR – SPECIFICATIONS



The GL 1200 outdoor graphic projector is powered by a conventional metal halide lamp. With 1200 watts output, the unit reaches a brightness that is unmatched by any Derksen LED projector. The housing complies with the requirements of protection class IP 33 and is suitable for outdoor use. Numerous accessories and light effects, especially designed for graphic projectors, can be used, for example projection clock 105 mm, deflection mirror, circular motion mirror, gobo magazine. Different lenses are available, with which projection size and distance can be adjusted optimally. Since particularly large gobos with an outside diameter of 105 mm and an image dimension of 68 mm are used, a high resolution is guaranteed with large projections. Light projections in the open air appeal to a wide audience. With the GL 1200 outdoor, the motifs are easily visible in the evening hours - even at night projection distances of 60 meters or more can be reached. Ideal applications are, for example, large-format projections on facades in busy inner city areas, within sight of main traffic roads. The projection motif (gobo) can be changed without tools.

item:.....	GL 1200 outdoor
body:.....	aluminium
weight:.....	28.2 kg
environmental conditions:.....	outdoors, humid indoor environments
ambient temperature:.....	-30° C – + 45° C
cooling:.....	active cooling, fan
light source:.....	PHILIPS Broadway metal halide lamp, 1,200 W
socket:.....	G 22
recommended projection distance in normal room light:.....	50 ft
recommended projection distance in darkness:.....	200 ft
average lifetime of the lamp:.....	3,000 hours
colour temperature:.....	6,000° Kelvin
luminous flux of the lamp:.....	92.000 Lumen
standard lens (included).....	f = 150 mm
gobo size / image size:.....	Ø 105 mm / Ø 68 mm
input voltage:.....	230 V AC, 50 / 60 Hz
power consumption:.....	1,420 W
electrical protection:.....	I
ingress protection rating:.....	IP 33
photobiological safety according to ICE62471:2006 EN62471:2008:.....	RG-3
connectors for light effects:.....	2 x 12 V AC
item number:.....	12000520 – black

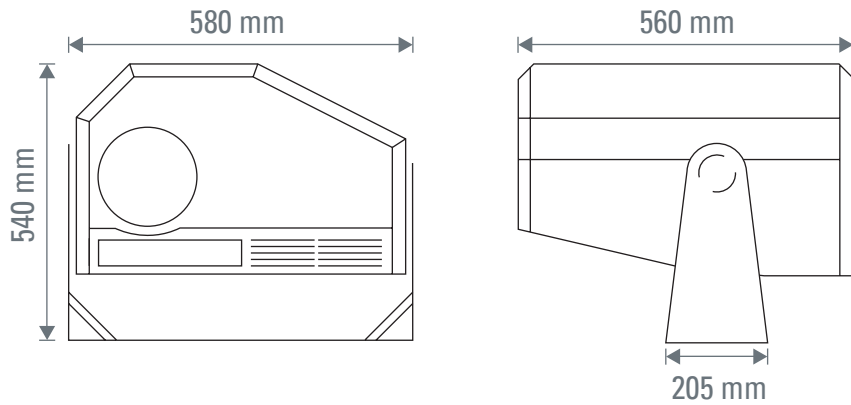
* greater projections distances can be reached with a telephoto lens

What's included:

Weatherproof housing with IP 33 rating, standard lens 150 mm, mounting bracket, power cord with plug. The system is ready to use out of the box. Required: custom made glass gobo with your projection artwork.

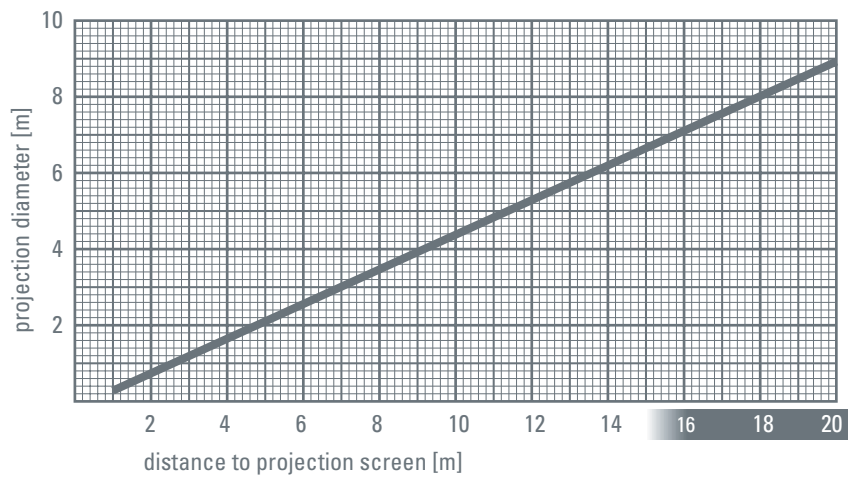


Dimensions



Projection Size

standard lens, $f = 150 \text{ mm}$



derksen®
lichttechnik

Derksen Lichttechnik GmbH
Sauerlandstraße 5
45889 Gelsenkirchen
Germany

Tel.: +49 (0)209 / 9 80 70 0
Fax: +49 (0)209 / 9 80 70 60

info@derksen.de
www.derksen.de